

## KDS10/SO

Order No.: 1704059

The figure shows a 5-pos. version of the product

<http://eshop.phoenixcontact.de/phoenix/treeViewClick.do?UID=1704059>

PCB terminal block, nominal current: 76 A, rated voltage: 630 V, pitch: 10.0 mm, number of positions: 1, mounting type: Soldering, connection method: Screw connection, connection direction from the conductor to the PCB: 0°

### Commercial data

EAN	4017918023188
Pack	50 Pcs.
Customs tariff	85369010
Weight/Piece	0.01698 KG
Catalog page information	Page 297 (CC-2007)

### Product notes

WEEE/RoHS-compliant since:  
01/01/2003

<http://www.download.phoenixcontact.com>  
Please note that the data given here has been taken from the online catalog. For comprehensive information and data, please refer to the user documentation. The General Terms and Conditions of Use apply to Internet downloads.

### Technical data

#### Dimensions / positions

Pitch	10 mm
Number of positions	1
Pin dimensions	1 x 0,9 mm

Hole diameter	1.4 mm
Screw thread	M 4
Tightening torque, min	1.2 Nm

**Technical data**

Insulating material group	I
Rated surge voltage (III/3)	6 kV
Rated surge voltage (III/2)	6 kV
Rated surge voltage (II/2)	6 kV
Rated voltage (III/2)	630 V
Rated voltage (II/2)	1000 V
Connection in acc. with standard	EN-VDE
Nominal current $I_N$	76 A
Nominal voltage $U_N$	630 V
Nominal cross section	16 mm <sup>2</sup>
Maximum load current	76 A (with 16 mm <sup>2</sup> conductor cross section)
Insulating material	PA
Inflammability class acc. to UL 94	V0
Internal cylindrical gage	B6
Stripping length	12 mm

**Connection data**

Conductor cross section solid min.	0.5 mm <sup>2</sup>
Conductor cross section solid max.	16 mm <sup>2</sup>
Conductor cross section stranded min.	0.5 mm <sup>2</sup>
Conductor cross section stranded max.	10 mm <sup>2</sup>
Conductor cross section stranded, with ferrule without plastic sleeve min.	0.5 mm <sup>2</sup>
Conductor cross section stranded, with ferrule without plastic sleeve max.	10 mm <sup>2</sup>
Conductor cross section stranded, with ferrule with plastic sleeve min.	0.5 mm <sup>2</sup>
Conductor cross section stranded, with ferrule with plastic sleeve max.	10 mm <sup>2</sup>
Conductor cross section AWG/kcmil min.	20
Conductor cross section AWG/kcmil max	6
2 conductors with same cross section, solid min.	0.5 mm <sup>2</sup>

2 conductors with same cross section, solid max.	4 mm <sup>2</sup>
2 conductors with same cross section, stranded min.	0.5 mm <sup>2</sup>
2 conductors with same cross section, stranded max.	4 mm <sup>2</sup>
2 conductors with same cross section, stranded, ferrules without plastic sleeve, min.	0.5 mm <sup>2</sup>
2 conductors with same cross section, stranded, ferrules without plastic sleeve, max.	2.5 mm <sup>2</sup>
2 conductors with same cross section, stranded, TWIN ferrules with plastic sleeve, min.	0.5 mm <sup>2</sup>
2 conductors with same cross section, stranded, TWIN ferrules with plastic sleeve, max.	6 mm <sup>2</sup>

### Certificates / Approvals

#### Approval logo



#### CSA

Nominal voltage U <sub>N</sub>	300 V
Nominal current I <sub>N</sub>	65 A
AWG/kcmil	18-6

#### CUL

Nominal voltage U <sub>N</sub>	600 V
Nominal current I <sub>N</sub>	65 A
AWG/kcmil	24-6

#### UL

Nominal voltage U <sub>N</sub>	600 V
Nominal current I <sub>N</sub>	65 A
AWG/kcmil	24-6
Certification	CSA, CUL, GL, GOST, UL

**Accessories**

Item	Designation	Description
------	-------------	-------------

**Assembly**

1701065	RZ-KDS10	Pitch spacer, raises the pitch by 2.5 mm, interlocks with terminal block of the same shape, color: green
---------	----------	--

**Bridges**

0203276	FBI 10-10	Fixed bridge, 10-pos., screw heads with insulating collar, divisible, with screws
---------	-----------	---

**Marking**

1053014	ZB10,LGS:FORTL.ZAHLEN	Zack strip, 10-section, printed horizontally: with the numbers, 1-10, 11-20 etc. up to 991-1000, color: white
---------	-----------------------	---

**Plug/Adapter**

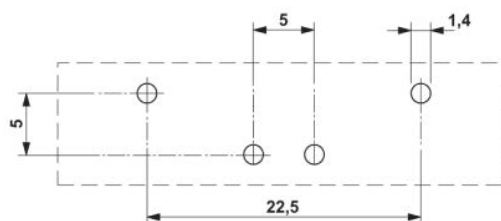
0303299	PSB 4/7/6	Test plug socket, not insulated, length: 7 mm, screw thread width: 4 mm, socket width: 6 mm
---------	-----------	---

**Tools**

1205066	SZS 1,0X4,0	Screwdriver, bladed, matches all screw terminal blocks with 10 mm <sup>2</sup> and 16 mm <sup>2</sup> connection cross section, blade: 1.0 x 4.0 mm
---------	-------------	---

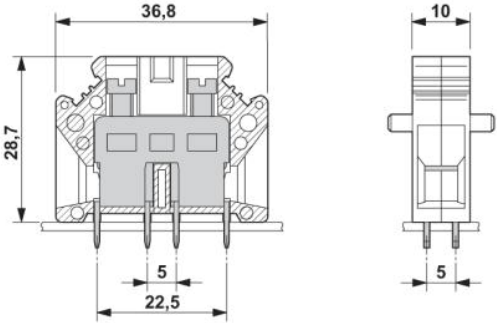
**Drawings**

Drilling diagram



Dimensioned drawing

---



KDS10/SO Order No.: 1704059

<http://eshop.phoenixcontact.de/phoenix/treeViewClick.do?UID=1704059>

---

**Address**

PHOENIX CONTACT GmbH & Co. KG  
Flachmarktstr. 8  
32825 Blomberg, Germany  
Phone +49 5235 3 00  
Fax +49 5235 3 41200  
<http://www.phoenixcontact.de>



© 2008 Phoenix Contact  
Technical modifications reserved;